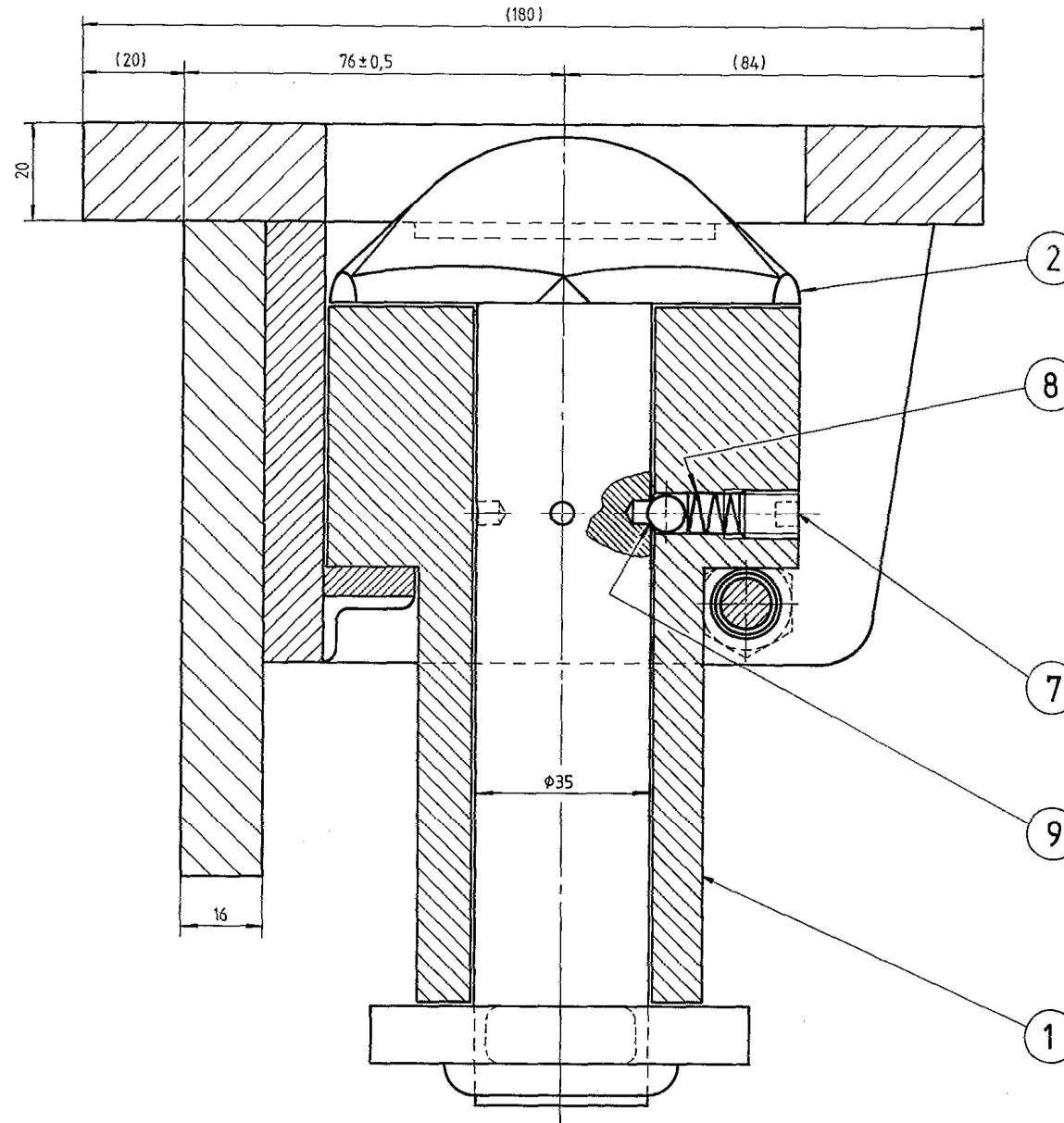
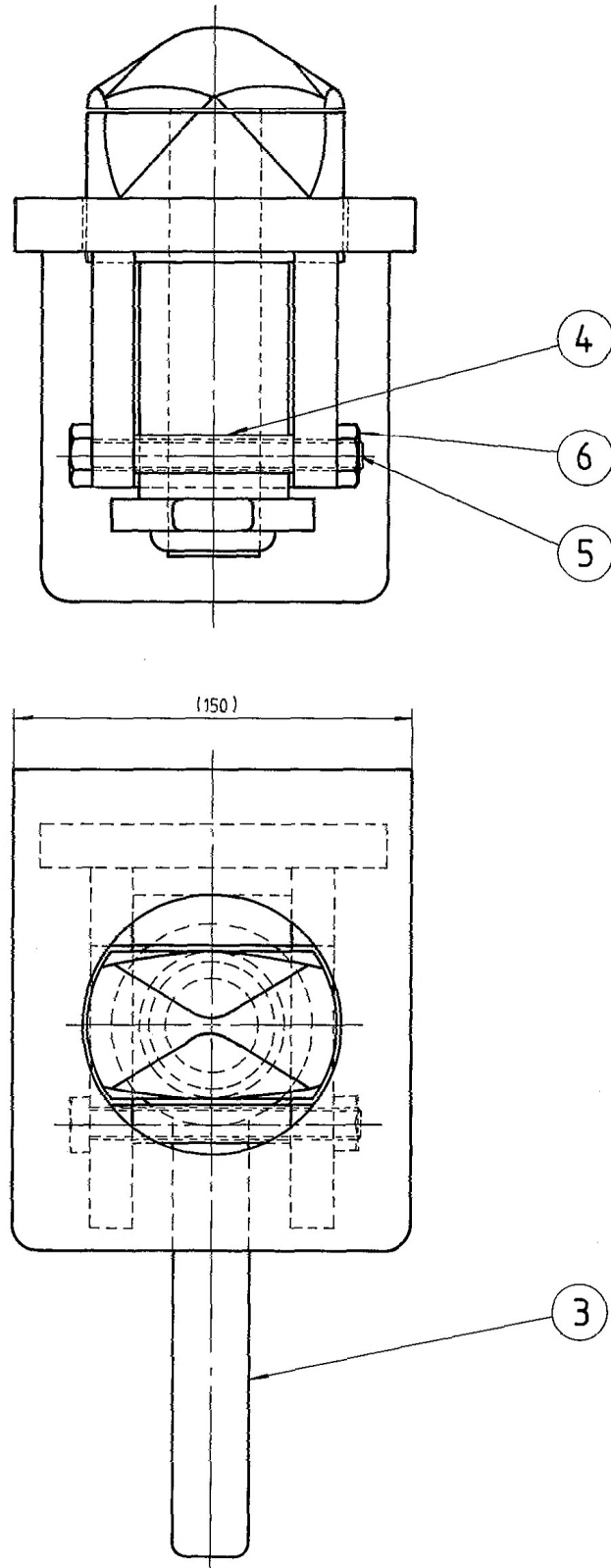


FOR IDENTIFICATION OF PARTS AND TENDERING PURPOSES ONLY
VIR UITKENNING VAN ONDERDELE EN TENDERDOELEINDES ALLEENLIK

**CONTROLLED COPY IF STAMPED
IN RED TRANSNET ENGINEERING
UITENHAGE**
5/12/2023
I.D. DRW SIGN H.M



SECTION IN DOWN POSITION
SNIT IN AF POSISIE
(1:1)

9	BALL KOEËL	1	68/016382	
8	SPRING VEER	1	68/053202	
7	SETSCREW STELSKROEF	1	01/005417	
6	NUT MOER	1	01/016128	
5	BOLT BOUT	1	01/013933	
4	DISTANCE PIECE AFSTANDSTUK	1	68/050549	
3	LEVER HEFBOOM	1	68/040023	
2	SPINDLE SPIJL	1	68/038665	
1	COLLAR KRAAG	1	68/089136	
ITEM	NAME NAAM	NUMBER PER ASSEMBLY GETAL PER SAMESTEL	STORES IT. No. OR DRG. No. MAG. IT. No. OF TEK. No.	MASS PER ARTICLE MASSA PER ARTIKEL kg

ASSEMBLY DRG. SAMESTELTEK. NO.	DRN.-GET. K.M.K.	CARRIAGE RYTUIG
SUPERSEDES/REPLACES DRG. VERVANG TEK. NO.	TCD.-NGT. K.M.K.	
CLASS OR TYPE KLAS OF TIEP	CKD.-NGS. R.E.	
CONTAINER TRAFFIC HOUVERVERKEER	APPROVED GOEDGEK.	C.J.K.
	REF. VERW. 17/1/2SM/3	
	DATE DATUM	1988-04-25
	SCALE SKAAL	1:1,1:2

		PRETORIA
TWISTLOCK, HEAVY DUTY (RETRACTABLE) DRAAIGRENDEL, SWAARDIENS (INTREKBAAR)		
SEE TABLE KYK TABEL		STORES IT. NO. MAG.
NO. CME 108		
12-751		
AMENDMENT WYSIGING		